



MJ-GERÜST
Scaffolding Systems

WWW.MJ-SCAFFOLDING.COM     



WALL AND ROOF

PRICES | EDITION 04.2025



**SCAFFOLDING MADE IN
PLETTENBERG**

SCAFFOLDINGS MADE IN PLETTENBERG

MJ-Gerüst GmbH, based in Plettenberg in the German region of Sauerland, is part of a strong group of companies, which can look back on more than 50 years of company history. The core competence of the family company lies in the production and worldwide distribution of high-quality steel and aluminum scaffolding systems, which offer almost limitless possibilities in the field of modern system scaffolding construction.

With a unique range of products and a wide range of universal accessories, we offer our customers the option of completing existing scaffolding material in a system-compatible complement. A highly valued advantage by our customers that has given our scaffolding international recognition and prominence.

Development, production and sales. These are the cornerstones of our range of services, which are supplemented by numerous additional services. Especially our support in the planning and implementation of difficult projects is claimed. A service in which our technical know-how and experience can often contribute to considerable time and cost savings.

Only through qualified work can a safe quality product be created. Our proven quality management reflects our knowledge and experience and makes the quality of our products measurable. In order to guarantee our high quality standards, our production processes are constantly accompanied by external examination offices and engineers.



OUR COMPANY - YOUR BENEFITS

- Production in Germany at the location Plettenberg
- System compatible, high quality and norm compliant scaffold systems
- Certifications according to DIN EN 9001, 14001 and 50001
- Highest product quality through dynamic quality management
- Short-term availability of material due to high storage capacities and short decision-making processes
- Use of the modern production technology and permanent optimization of technological production running
- Project support already in the planning phase

PARTNER AND CERTIFICATES





Piped roof system	4
Supporting elements	6
Stiffener	8
Support Bracket	9
Accessories	11
Piping tarps	12
Gabletarps	13
Roof components	14
The safety enclosure OPTI-BOARD	15
Protection wall / Barrier	18
Order form	19

 Made in Plettenberg

 Net price, not discountable

 Individual identification

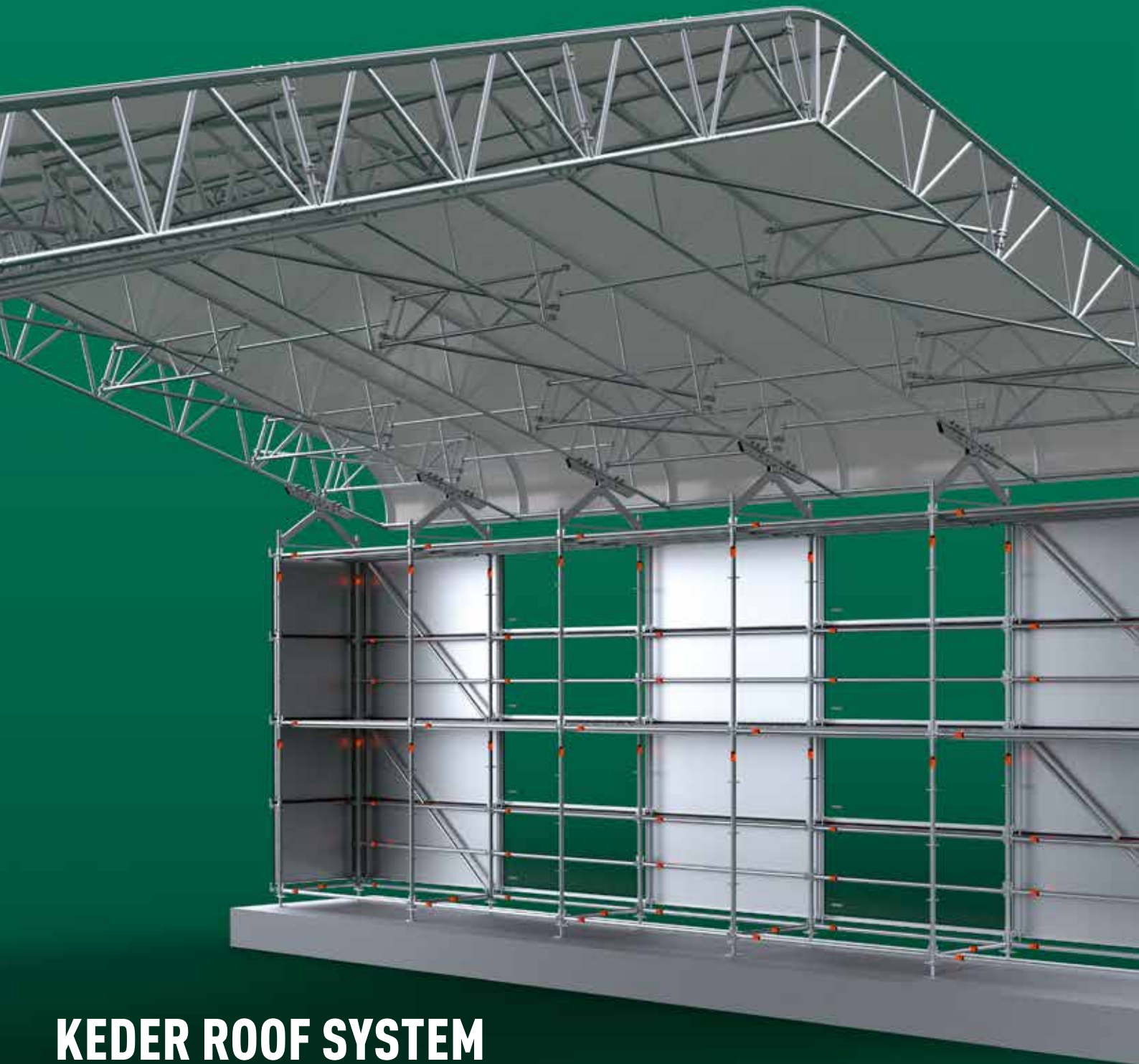
 Delivery time on request

All prices exclude VAT applicable at the time of shipment. All dimensions and weights are non-binding approximate values. Technical data is subject to change without prior notice. Prices are charged as applicable on the day of shipment. Sale is subject exclusively to our sales terms and delivery conditions. An excerpt: place of business and jurisdiction is Plettenberg. Extended retention of title until full payment of all outstanding claims. Our prices are ex works.



OPTI-ROOF





KEDER ROOF SYSTEM

in lightweight aluminum truss construction

Particularly economical thanks to tool-free assembly. The roof construction elements are assembled without tools using automatically engaging claws and bolts with spring clips. Very time-saving assembly thanks to self-aligning design.

Modular structure for many roof widths in pitched roof and mono-pitched roof form. The elements have very low weights so that manual assembly or pre-assembly on the ground is possible.

The compact dimensions, together with the low weight, ensure optimum transportation options. This minimizes crane costs.

The **OPTI-ROOF** is compatible for bay widths of 2.57 m and is also available for metric applications with a bay width of 2.50 m. Sliding supports are available for the standard scaffolding systems on

the market with the dimensions **CONNECT**, **UNI** and **UNI TOP**. This allows the loads on the scaffolding to be balanced and the inner and outer standards to be fully activated.

A wide range of applications such as

- **Construction site weather protection roofs for new construction projects to avoid delay times.**
- **Weather protection roofs for buildings requiring special protection from the weather, such as museums.**
- **Protection of existing buildings from the weather.**
- **Event weather protection roofs**

In combination with the **MJ-OPTI-BOARD** system for wall cladding, complete enclosures can be created.

LATTICE BEAM OPTI-ROOF



- Aluminum
- Pipe connector pre-assembled
- Integrated piping rail



Length (m)	Width (m)	Weight (kg)	Article no.	Price (€)
2,00	0,78	17,84	015504	369,80
3,00	0,78	25,30	015505	506,20

EAVE PIECE OPTI-ROOF ALUMINUM



- Aluminum
- Integrated piping rail



Length (m)	Width (m)	Weight (kg)	Article no.	Price (€)
2,00	0,78	15,01	015508	465,80

RIDGE PIECE OPTI-ROOF 18° ALUMINUM



- Aluminum
- 18° - Variation
- Pipe connector pre-assembled
- Integrated piping rail



Length (m)	Width (m)	Weight (kg)	Article no.	Price (€)
2,54	0,78	27,09	015506	801,00

PITCHED ROOF LATTICE BEAM OPTI-ROOF ALUMINUM



- Aluminum
- Pipe connector pre-assembled
- Integrated piping rail

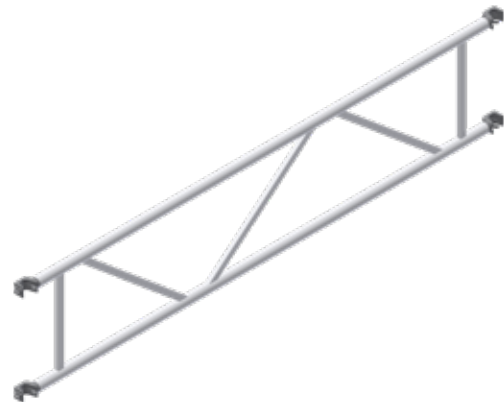


Length (m)	Width (m)	Weight (kg)	Article no.	Price (€)
1,06	0,78	14,60	015514	364,70

BRACE OPTI-ROOF 2,57M ALUMINUM



- Aluminum
- OPTI-ROOF claw for easy installation



Length (m)	Width (m)	Weight (kg)	Article no.	Price (€)
2,57	0,55	10,00	015507	202,70

LEDGER OPTI-ROOF 2,57M ALUMINUM



- Aluminum
- OPTI-ROOF claw for easy installation



Length (m)	Weight (kg)	Article no.	Price (€)
2,57	3,49	015509	67,00

HORIZONTAL DIAGONAL BRACE OPTI-ROOF ALUMINUM



- Aluminum
- OPTI-ROOF claw for easy installation

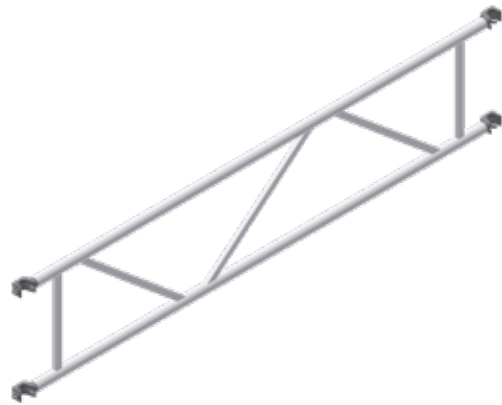


Length (m)	Width (m)	Weight (kg)	Article no.	Price (€)
2,57	1,00	3,68	015510	63,70
2,57	2,00	4,20	015511	73,40

REINFORCER OPTI-ROOF 2,50M - METRIC ALUMINUM



- Aluminum
- OPTI-ROOF claw for easy installation

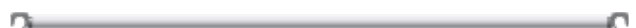


Length (m)	Width (m)	Weight (kg)	Article no.	Price (€)
2,50	0,55	8,28	015517	202,70

LEDGER OPTI-ROOF 2,50M - METRIC ALUMINUM



- Aluminum
- OPTI-ROOF claw for easy installation



Length (m)	Weight (kg)	Article no.	Price (€)
2,50	3,39	015518	67,00

HORIZONTAL DIAGONAL BRACE OPTI-ROOF - METRIC ALUMINUM



- Aluminum
- OPTI-ROOF claw for easy installation



Length (m)	Width (m)	Weight (kg)	Article no.	Price (€)
2,50	1,00	3,59	015519	63,70
2,50	2,00	4,13	015520	73,40

SUPPORT BRACKET OPTI-ROOF



- Steel, hot dip galvanized
- Swivelling

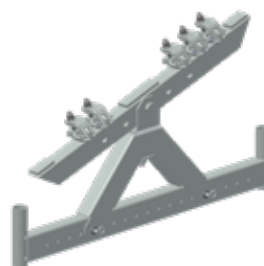


Length (m)	Weight (kg)	Article no.	Price (€)
0,73	19,15	015512	353,60
1,09	22,32	015513	368,90

SWIVEL SUPPORT BRACKET OPTI-ROOF



- Steel, hot dip galvanized
- Variable and swivelling



Length (m)	Weight (kg)	Article no.	Price (€)
0,73	24,60	015521	353,60
1,09	27,38	015522	368,90

SUPPORT BRACKET OPTI-ROOF - UN 

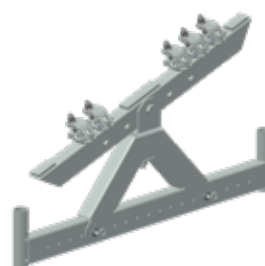
- Steel, hot dip galvanized
- Variable and swivelling



Length (m)	Weight (kg)	Article no.	Price (€)
0,74	24,66	015523	353,60
1,10	27,20	015524	368,90

SUPPORT BRACKET OPTI-ROOF - UT 

- Steel, hot dip galvanized
- Variable and swivelling



Length (m)	Weight (kg)	Article no.	Price (€)
0,65	23,96	015525	353,60
1,00	26,68	015526	368,90

FULL RUBBER SEAL

N

- Sealing rubber
- Insert between the joints in the upper belt to prevent dripping water

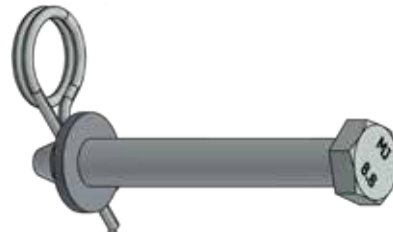


Article no.	Price (€)
015597	1,60

BOLT 12 X 95 MM

 N

- With cotter pin
- With U-disc
- Quality 8.8



Weight (kg)	Article no.	Price (€)
0,11	015542	2,90

PIPE CLIP 12 X 60 MM

 EN

- Steel, hot dip galvanized



Weight (kg)	VPE (Stk.)	Article no.	Price (€)
0,085	100	012057	2,40

PIPING TARPS

- PVC, white
- The tarps are manufactured individually in the required length for each project
- DIN ISO 2076

For Roof Width (m)	Tarp Length x Width (m)	Price (€)
flammable		
9,60	On request	On request
11,50	On request	On request
13,40	On request	On request
15,30	On request	On request
17,20	On request	On request
19,10	On request	On request
flame resistant		
9,60	On request	On request
11,50	On request	On request
13,40	On request	On request
15,30	On request	On request
17,20	On request	On request
19,10	On request	On request



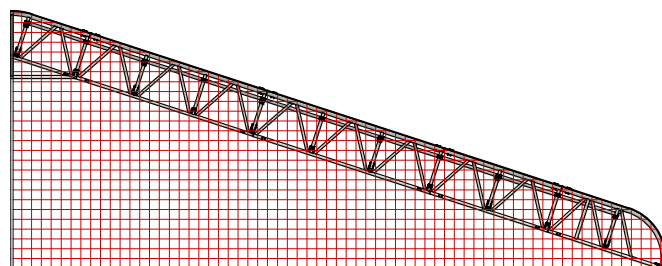
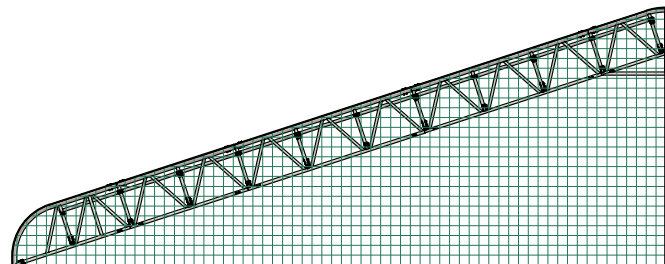
Technical data

Material:	PES
Fabric coating	PVC
Gear	Both sides with acrylic lacquer, microbiodical, UV-protected
Burning behaviour	BS 7837, California T 19, D.M. 26.06.84 (UNI 9177): CL. 2 DIN 4102: B1 GOST: G1 NFP 92507: M2 EN 13501-1: B-s2-d0 (flame resistant) NFPA 701 Test 2
Fabric weight	ca. 650 g/m ² DIN EN ISO 2286-2
tear strength	Kette/Schuß 2500 / 2500 N/50 mm DIN EN ISO 1421/V1
Weiterreißfestigkeit	Chain/weft 250 / 250 N DIN 53363
Adhesive strength	20 N/cm PA 09.03 (internal)
Cold resistance	- 40 °C DIN EN 1876-1
Heat resistance	+70 °C PA 07.04 (internal)
Light fastness	Note, Value >6 DIN EN ISO 105 B02
buckling strength	No cracks 100000 x DIN 53359 A
Thread strength	1100 dtex DIN ISO 2060
Binding	L 1/1

GABLETARPS

- PVC, white
- DIN ISO 2076

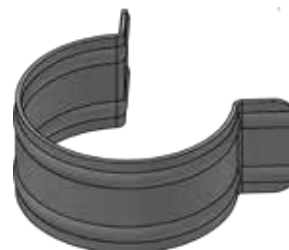
Span width (m)	Roof Width (m)	Price (€)
flammable		
9,60	11,60	On request
11,50	13,50	On request
13,40	15,40	On request
15,30	17,30	On request
17,20	19,20	On request
19,10	21,10	On request
21,00	23,00	On request
22,90	24,90	On request
24,80	26,80	On request
26,80	28,70	On request
28,70	30,60	On request
30,60	32,50	On request
32,50	34,50	On request
flame resistant		
9,60	11,60	On request
11,50	13,50	On request
13,40	15,40	On request
15,30	17,30	On request
17,20	19,20	On request
19,10	21,10	On request
21,00	23,00	On request
22,90	24,90	On request
24,80	26,80	On request
26,80	28,70	On request
28,70	30,60	On request
30,60	32,50	On request
32,50	34,50	On request



TARP CLIPS 48,3

N

- Steel, hot dip galvanized

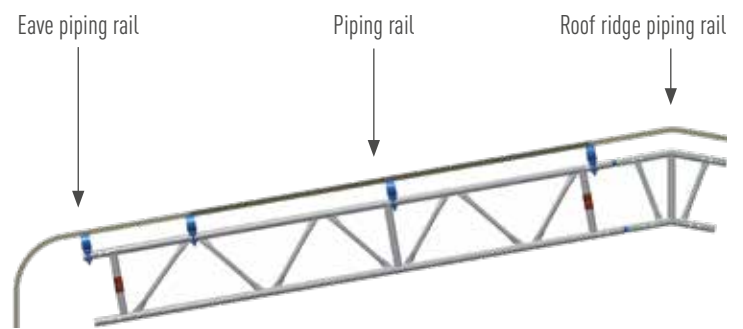
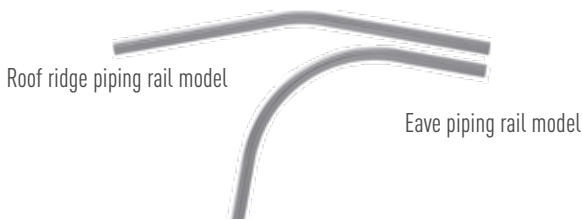
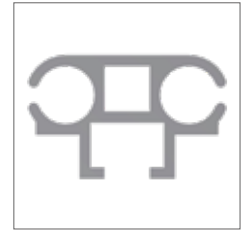


Article no.	Price (€)
015928	1,30

PIPING RAIL ALUMINUM 

- For variable use
- Our keder rails are also available in custom lengths on request

Length (m)	Weight (kg)	Article no.	Price (€)
1,00	1,50	000285	29,50
2,00	3,00	000287	57,60
3,00	4,50	000288	86,10
4,00	6,00	000289	114,60
5,00	7,50	000290	143,20
6,00	9,00	000291	165,60



RUBBER SEAL

- For keder rails in the roof area
- The seal is used between the keder rail ends to prevent the dripping of water

Weight (kg)	PU (pcs.)	Article no.	Price (€)
0,005	100	000295	1,85



KEDER RAIL COUPLER ALUMINUM 

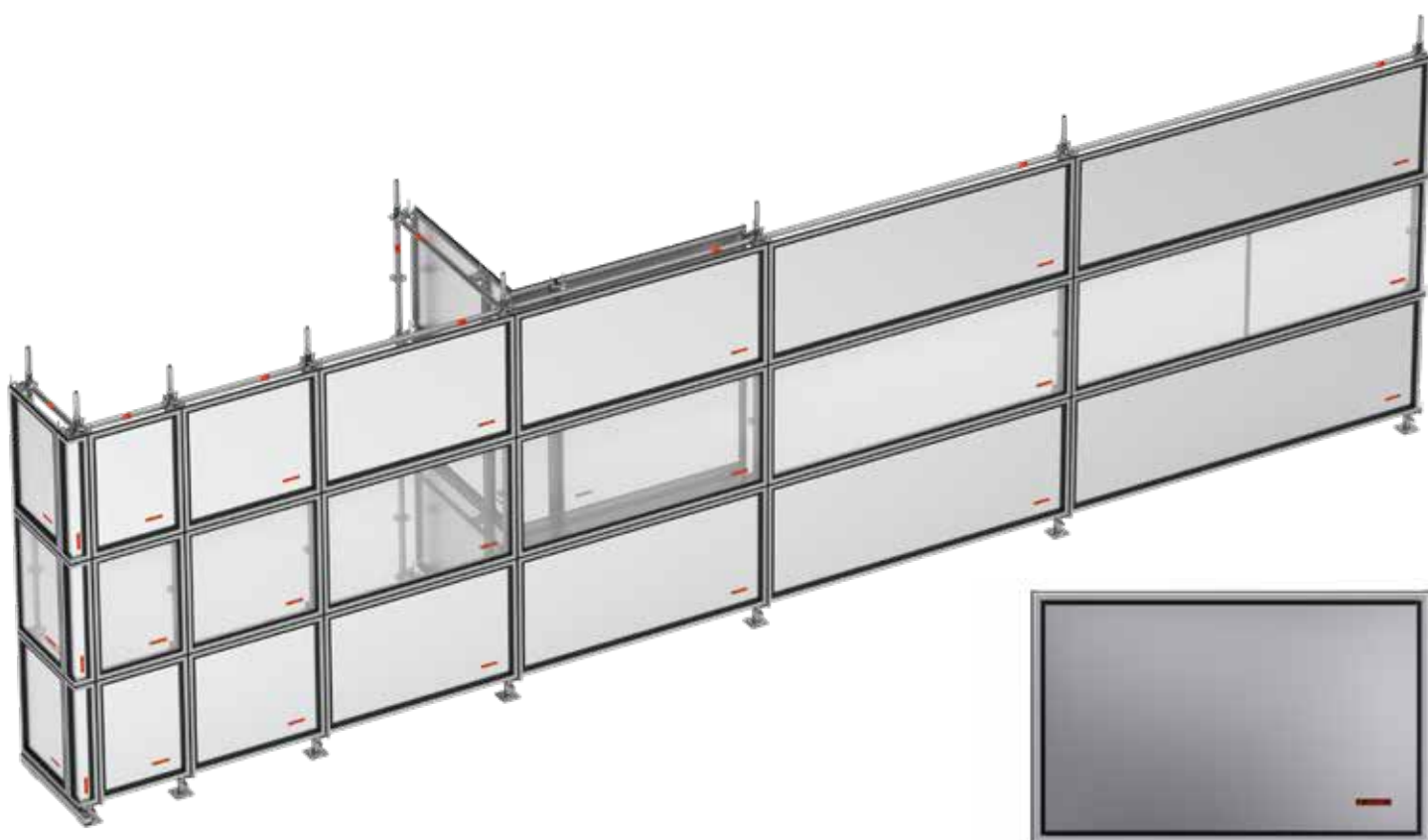
- Freely accessible screwing enables subsequent fastening/releasing of the keder rail

Length (m)	Weight (kg)	Article no.	Price (€)
0,20	1,38	007325	34,60



The system free safety enclosure OPTI-BOARD is the answer to many questions that you may ask yourself when planning your construction site with regard to environmental and noise protection. When renovating or building a new building, the construction site enclosure protects employees and passers by from noise, dust and dirt.

- Light cassette: The transparent version of the OPTI-BOARD enables work in daylight conditions.
- Dust-tight: A circumferential rubber seal makes the OPTI-BOARD almost dust-tight. This enables a clean construction site cladding, the use of vacuum systems (asbestos removal) and weather-independent sandblasting.
- Quick and easy assembly
- Can be use in the UNI, UNI-CONNECT, UNI TOP, COMBI and OPTIMA systems
- Can be installed vertically and horizontally



WALLCASSETTE SHEET



Width (m)	Height (m)	Weight (kg)	PU (St.)	Article-no.	Price (€)
0,50	1,00	5,50	14	012064	172,50
0,73	1,00	6,85	14	012076	164,20
1,00	1,00	8,70	14	012065	198,50
1,09	1,00	9,20	14	012077	188,80
1,57	1,00	12,30	14	012078	218,80
2,07	1,00	15,50	14	012079	258,80
2,57	1,00	18,70	14	012080	278,80
3,07	1,00	22,50	14	012081	337,10



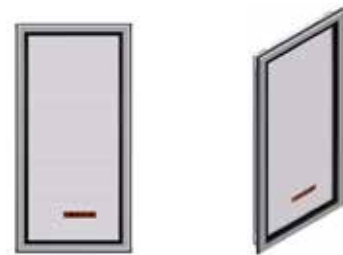
WALLCASSETTE SHEET METRIC 

Width (m)	Height (m)	Weight (kg)	PU (St.)	Article-no.	Price (€)
0,50	1,00	5,50	14	012064	172,50
0,65	1,00	6,10	14	012880	170,50
1,00	1,00	8,70	14	012065	198,50
1,10	1,00	9,00	14	012890	191,30
1,50	1,00	12,00	14	012066	229,70
2,00	1,00	15,25	14	012067	273,20
2,50	1,00	18,50	14	012068	301,20
3,00	1,00	22,50	14	012069	351,90



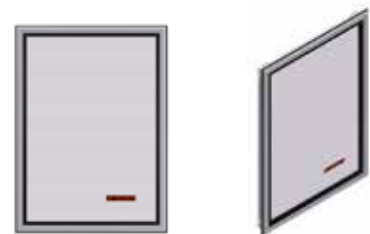
WALLCASSETTE LIGHT 

Width (m)	Height (m)	Weight (kg)	PU (St.)	Article-no.	Price (€)
0,50	1,00	4,30	14	012070	189,70
0,73	1,00	5,30	14	012082	180,70
1,00	1,00	6,45	14	012071	224,80
1,09	1,00	6,80	14	012083	213,90
1,57	1,00	8,90	14	012084	295,60
2,07	1,00	11,00	14	012085	345,70
2,57	1,00	13,20	14	012086	406,10
3,07	1,00	15,75	14	012087	446,10



WALLCASSETTE LIGHT METRIC 

Width (m)	Height (m)	Weight (kg)	PU (St.)	Article-no.	Price (€)
0,50	1,00	4,30	14	012070	189,70
0,65	1,00	4,70	14	012885	187,70
1,00	1,00	6,45	14	012071	224,80
1,10	1,00	6,60	14	012895	216,70
1,50	1,00	8,60	14	012072	301,50
2,00	1,00	10,70	14	012073	351,60
2,50	1,00	12,80	14	012074	419,40
3,00	1,00	15,40	14	012075	459,40



INSIDE CORNER FOR WALLCASSETTE 

Width (m)	Height (m)	Weight (kg)
0,40	1,00	6,85
PU (St.)	Article-no.	Price (€)
20	012088	206,10



OUTSIDE CORNER FOR WALLCASSETTE 

Width (m)	Height (m)	Weight (kg)
0,17	1,00	3,90
PU (St.)	Article-no.	Price (€)
50	012089	172,80



CASSETTE HOLDER



System	Weight (kg)	PU (St.)	Article-no.	Price (€)
MODULE	1,00	250	012060	29,40
LEDGER	1,30	250	012061	33,40
TUBE	0,85	300	012062	33,40



CORNER CASSETTE HOLDER



System	Weight (kg)	PU (St.)	Article-no.	Price (€)
TUBE	1,85	500	012063	58,60



PALETTE



- Space for 14. pcs. wall cassettes

Length (m)	Width (m)	Weight (kg)	PU (St.)	Article-no.	Price (€)
1,50	1,05	56,5	-	012209	399,00



ESCAPE ROUTE DOOR



- Block door made of 1.0 mm sheet steel
- With all-round steel profile frame
- Clear width 1.25 m x clear height 2.00 m
- With panic look if required

Weight (kg)	Article-no.	Price (€)
63,00	013453	1.161,50



MJ FASTENING UNIT FOR ESCAPE ROUTE DOOR



- Sheet steel brackets for mounting MJ escape route doors without tools
- For the installation of an MJ steel escape route door
- 6 fastening units are required

Weight (kg)	Article-no.	Price (€)
0,64	013448	29,90



PROTECTION WALL PROFILE ALUMINUM 

- Aluminum profile
- For setting up a robust wall system for partitions between the construction site and the surrounding area
- Any plank, commercially available ISO panels or other panels up to 5.5 cm thick can be used



Length (m)	Weight (kg)	Article no.	Price (€)
2,00	12,9	011647	168,60

HOLDER FOR PROTECTION WALL PROFILE 

- Steel, hot dip galvanized
- With half coupling
- Movable couplers connection points for every scaffold situation



Weight (kg)	A/F	Article no.	Price (€)
1,90	22	011662	32,30

SPECIAL SCAFFOLDING TAPE  

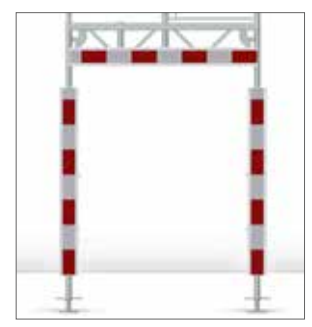
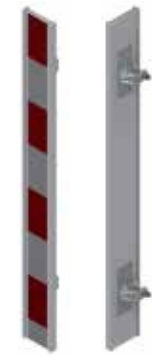
- Self-adhesive special tape
- BAST certified
- For metallic and polyotine substrates
- Retroreflective sheeting according to RSA for inner-city use traffic space in the area of sidewalks and bike paths
- Red / white blocks
- On rolls of 50 m each
- Width optimized for protection wall profile aluminum



Width (mm)	Weight (kg)	Article no.	Price (€)
100	2,40	012570	116,00

WARNING AND PROTECTION BEACON 

- For securing scaffolding on walkways and cycle paths
- Aluminum profile for vertical and horizontal use, with two rotatable couplers on the rear side
- With retroreflective, BAST-certified foil according to RSA for inner-city traffic areas in the area of walways and cycle paths



Length (m)	Width (mm)	Weight (kg)	Article no.	Price (€)
1,50	0,15	4,90	013903	109,50



WWW.MJ-SCAFFOLDING.COM



OPTIMA

Flexible façade scaffolding



OPTIMA METRIC

Flexible façade scaffolding



OPTIMA TOP

Flexible façade scaffolding



UNI-CONNECT

Frame System 73/109



UNI

Frame System 70/100



UNI TOP

Frame System 65/100



COMBI

Modular System



WALL AND ROOF

Enclosure



ACCESSORIES

Universal